

Gresley #52 and 56

Statistics

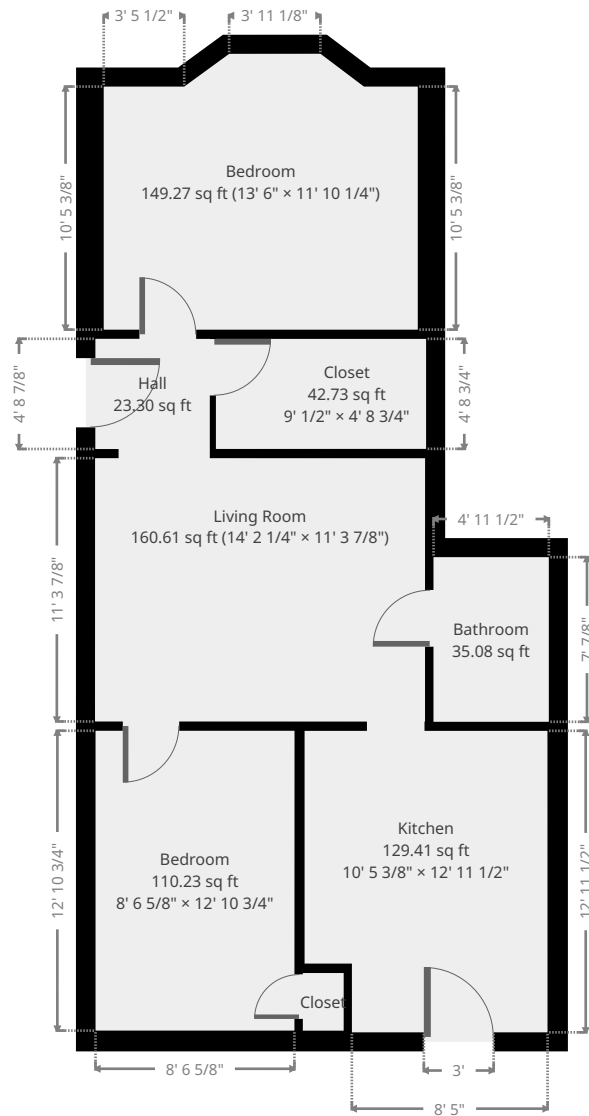
Area: 654 sq ft

1 Floor

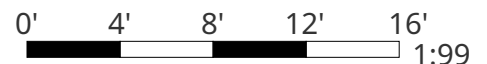
2 Bedrooms

1 Bathroom

Ground Floor



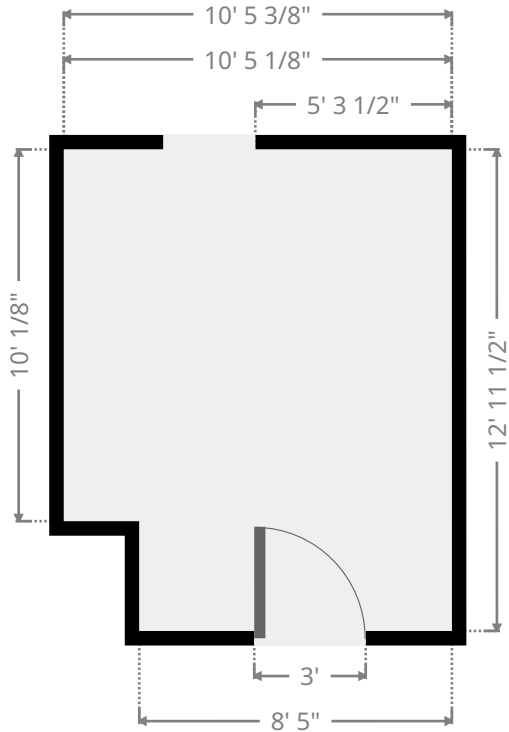
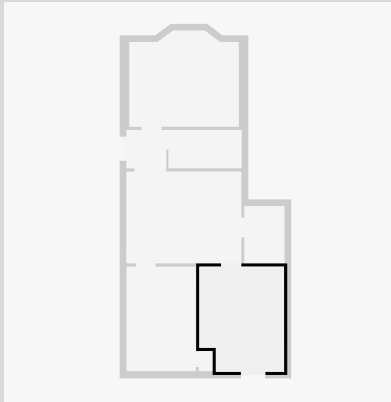
THIS FLOORPLAN IS PROVIDED WITHOUT WARRANTY OF ANY KIND. SENSOPIA DISCLAIMS ANY WARRANTY INCLUDING, WITHOUT LIMITATION, SATISFACTORY QUALITY OR ACCURACY OF DIMENSIONS.



Gresley #52 and 56

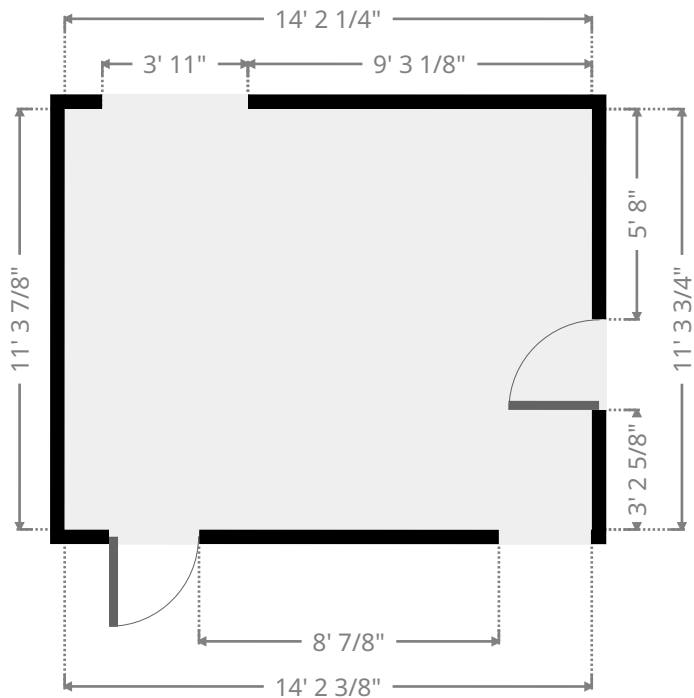
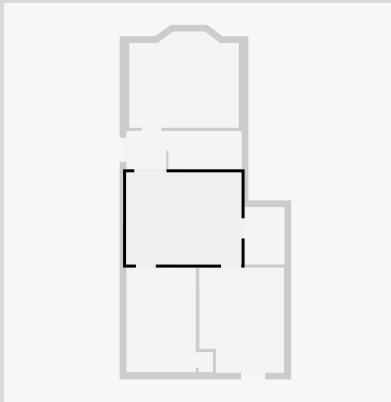
Kitchen

Width: 10' 5 3/8"
 Length: 12' 11 1/2"
 Area: 129.41 sq ft
 Perimeter: 46' 9 7/8"



Living Room

Width: 11' 3 7/8"
 Length: 14' 2 1/4"
 Area: 160.61 sq ft
 Perimeter: 51' 1/4"

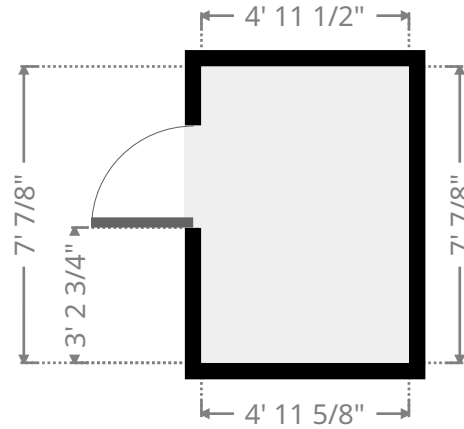
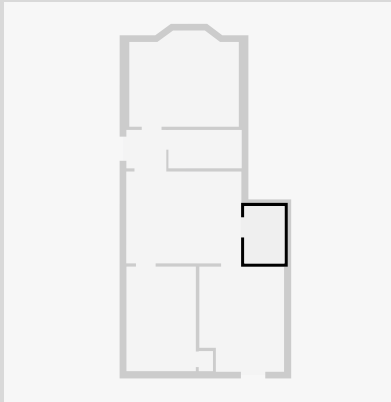


THIS FLOORPLAN IS PROVIDED WITHOUT WARRANTY OF ANY KIND. SENSOPIA DISCLAIMS ANY WARRANTY INCLUDING, WITHOUT LIMITATION, SATISFACTORY QUALITY OR ACCURACY OF DIMENSIONS.

Gresley #52 and 56

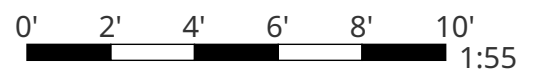
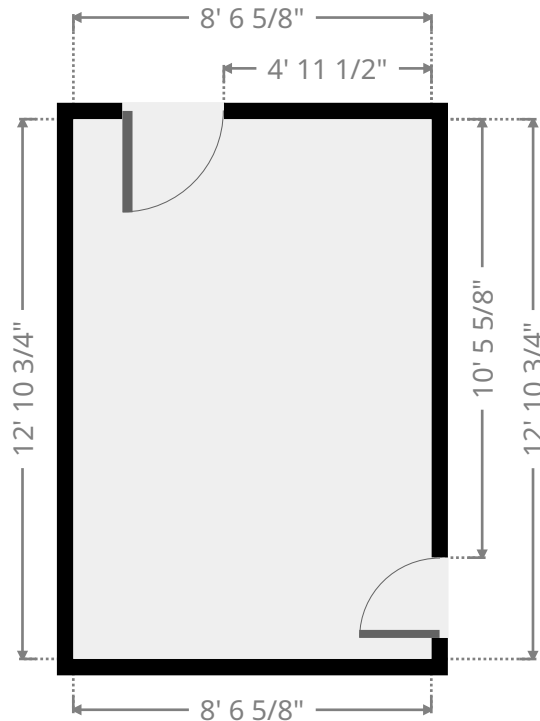
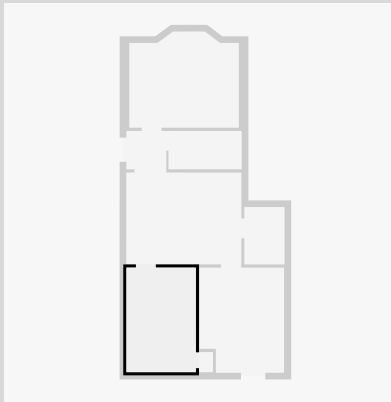
Bathroom

Width: 4' 11 1/2"
 Length: 7' 7/8"
 Area: 35.08 sq ft
 Perimeter: 24' 3/4"



Bedroom

Width: 8' 6 5/8"
 Length: 12' 10 3/4"
 Area: 110.23 sq ft
 Perimeter: 42' 10 5/8"

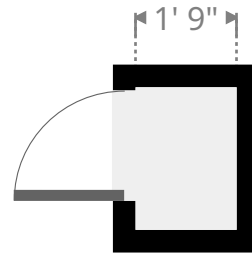
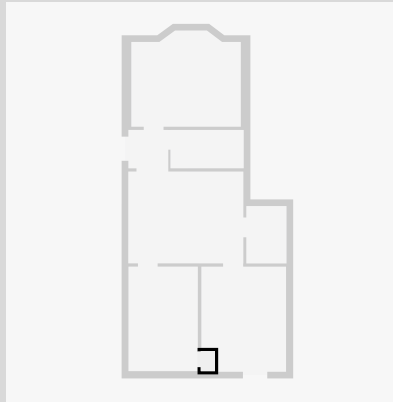


THIS FLOORPLAN IS PROVIDED WITHOUT WARRANTY OF ANY KIND. SENSOPIA DISCLAIMS ANY WARRANTY INCLUDING, WITHOUT LIMITATION, SATISFACTORY QUALITY OR ACCURACY OF DIMENSIONS.

Gresley #52 and 56

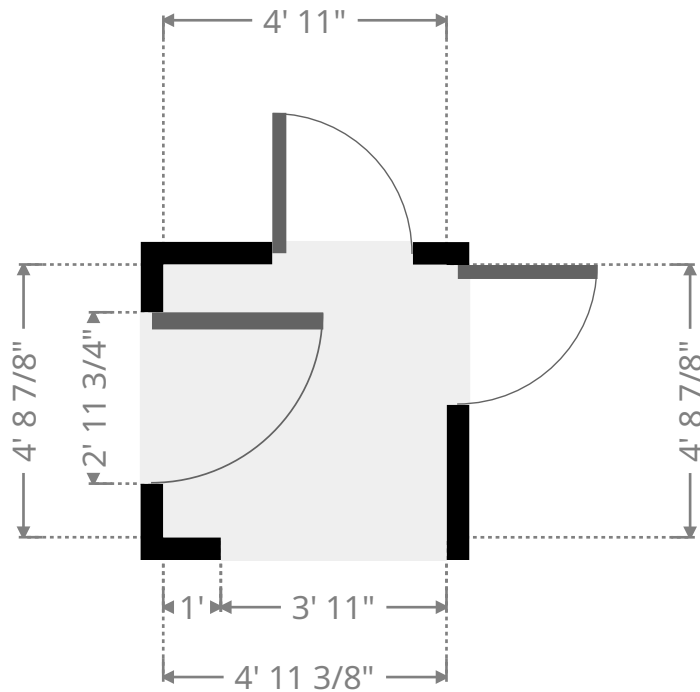
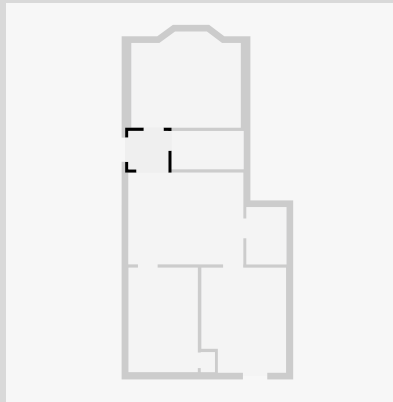
Closet

Width: 1' 9"
 Length: 2' 5 3/4"
 Area: 4.34 sq ft
 Perimeter: 8' 5 1/2"



Hall

Width: 4' 8 7/8"
 Length: 4' 11"
 Area: 23.30 sq ft
 Perimeter: 19' 3 3/4"

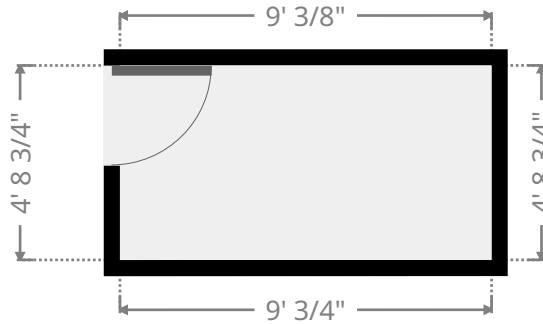
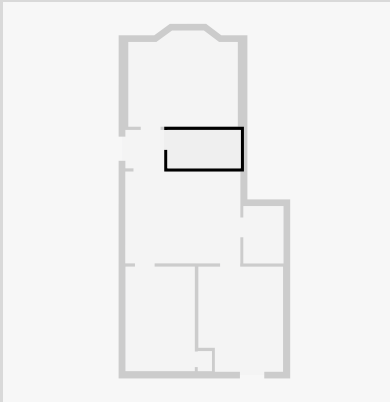


THIS FLOORPLAN IS PROVIDED WITHOUT WARRANTY OF ANY KIND. SENSOPIA DISCLAIMS ANY WARRANTY INCLUDING, WITHOUT LIMITATION, SATISFACTORY QUALITY OR ACCURACY OF DIMENSIONS.

Gresley #52 and 56

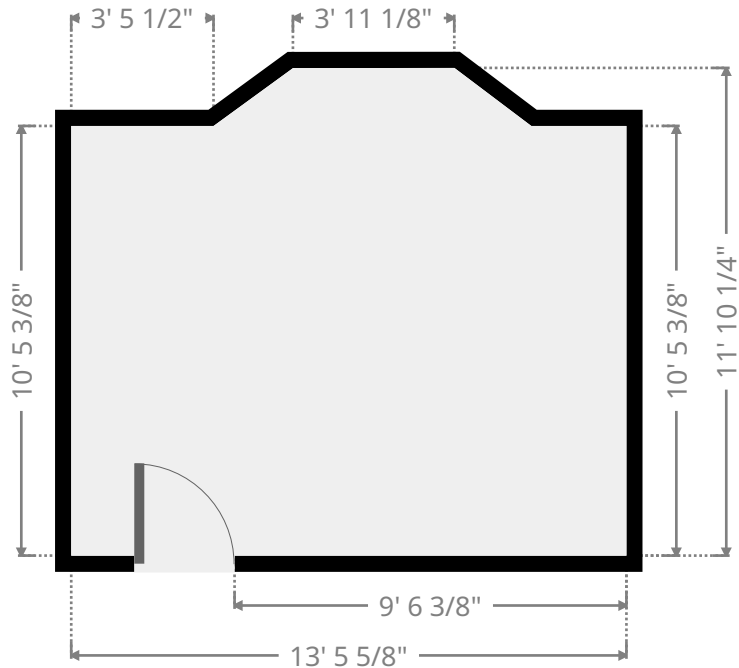
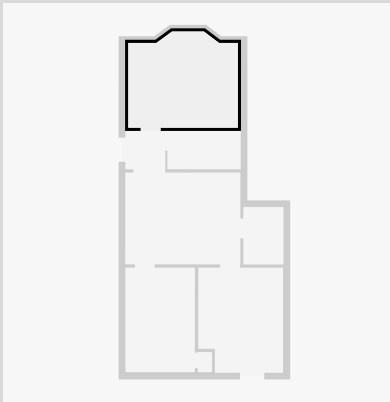
Closet

Width: 4' 8 3/4"
 Length: 9' 1/2"
 Area: 42.73 sq ft
 Perimeter: 27' 6 3/8"



Bedroom

Width: 11' 10 1/4"
 Length: 13' 6"
 Area: 149.27 sq ft
 Perimeter: 48' 10"



THIS FLOORPLAN IS PROVIDED WITHOUT WARRANTY OF ANY KIND. SENSOPIA DISCLAIMS ANY WARRANTY INCLUDING, WITHOUT LIMITATION, SATISFACTORY QUALITY OR ACCURACY OF DIMENSIONS.