

Gresley 16A, 17A, 18A, 10A, 11A, 12A

Statistics

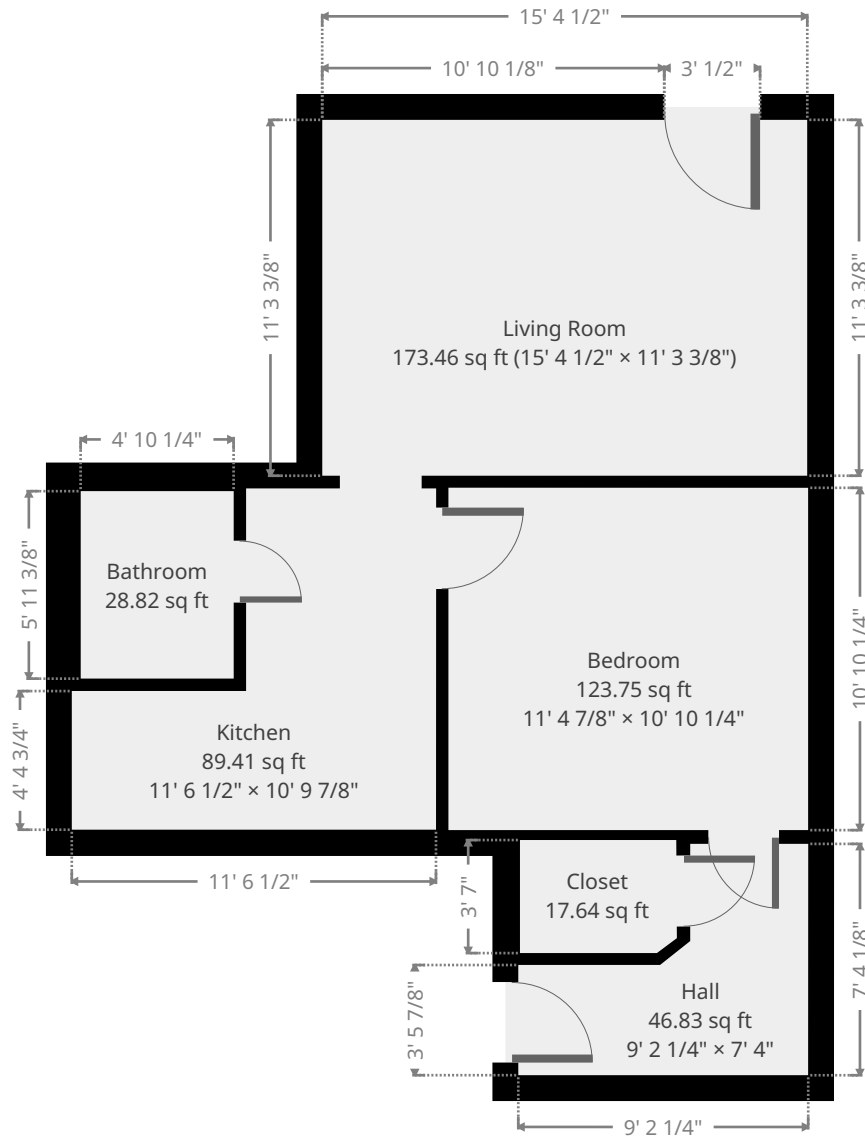
Area: 480 sq ft

1 Floor

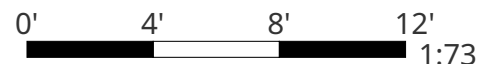
1 Bedroom

1 Bathroom

Ground Floor



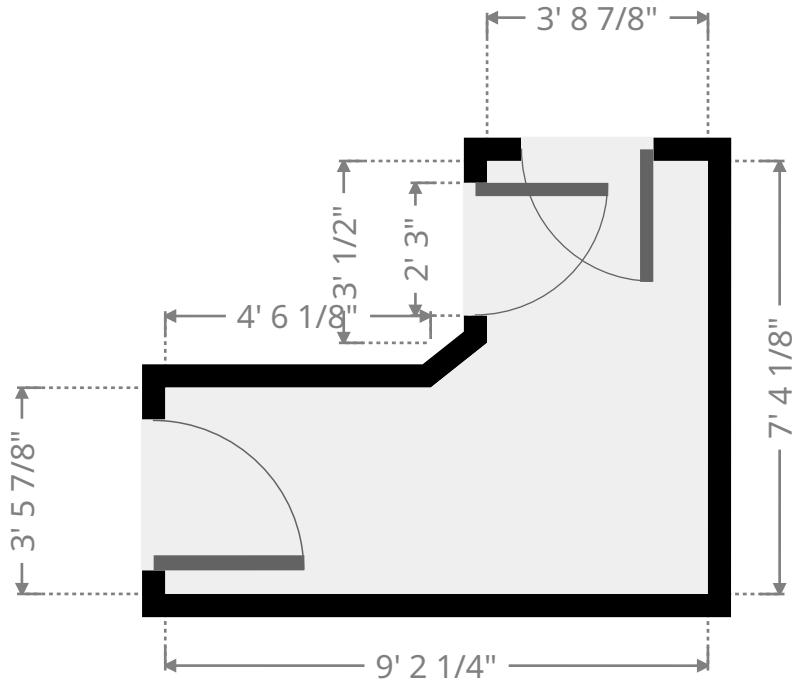
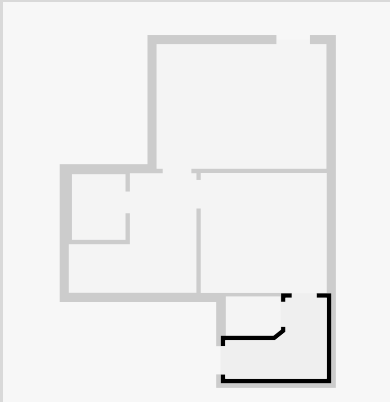
THIS FLOORPLAN IS PROVIDED WITHOUT WARRANTY OF ANY KIND. SENSOPIA DISCLAIMS ANY WARRANTY INCLUDING, WITHOUT LIMITATION, SATISFACTORY QUALITY OR ACCURACY OF DIMENSIONS.



Gresley 16A, 17A, 18A, 10A, 11A, 12A

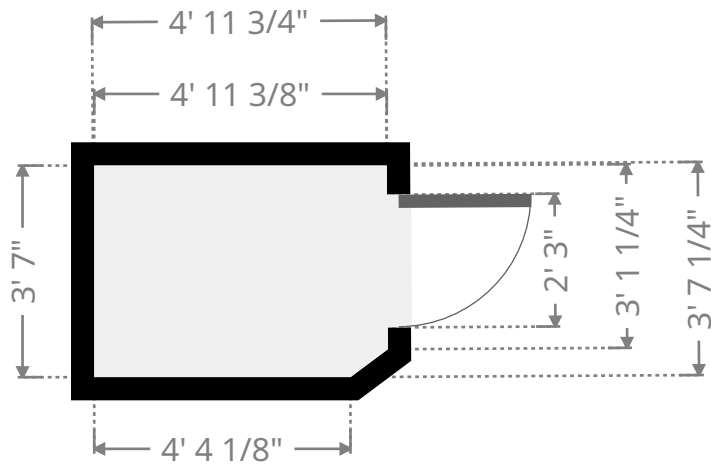
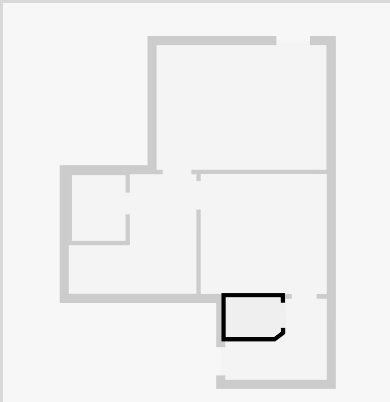
Hall

Width: 7' 4"
 Length: 9' 2 1/4"
 Area: 46.83 sq ft
 Perimeter: 32' 6 5/8"

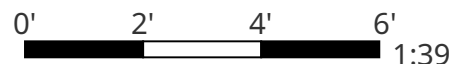


Closet

Width: 3' 7 1/4"
 Length: 4' 11 3/4"
 Area: 17.64 sq ft
 Perimeter: 16' 9 3/8"



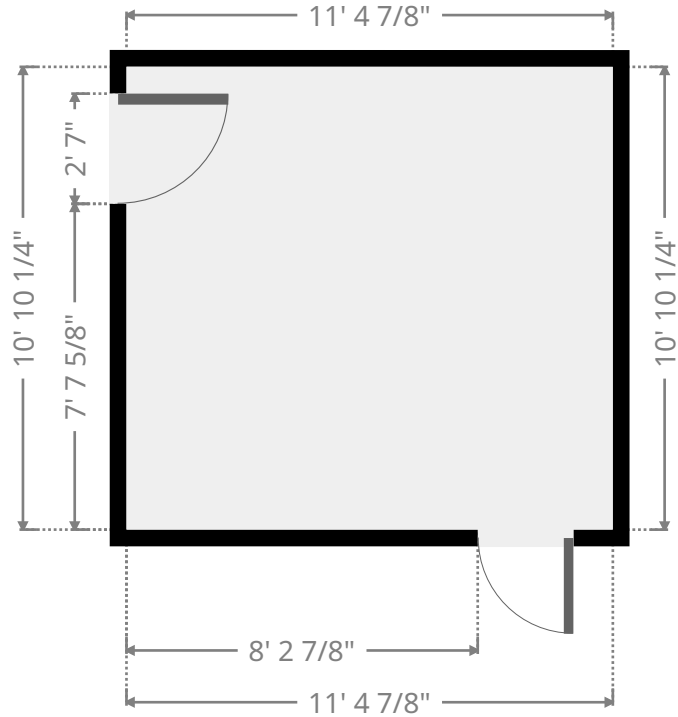
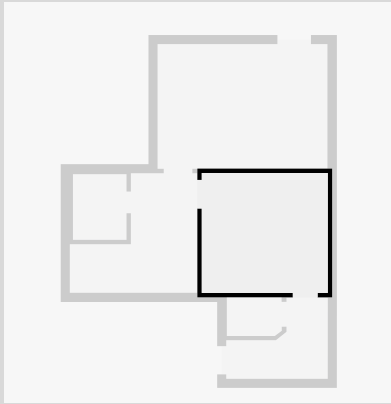
THIS FLOORPLAN IS PROVIDED WITHOUT WARRANTY OF ANY KIND. SENSOPIA DISCLAIMS ANY WARRANTY INCLUDING, WITHOUT LIMITATION, SATISFACTORY QUALITY OR ACCURACY OF DIMENSIONS.



Gresley 16A, 17A, 18A, 10A, 11A, 12A

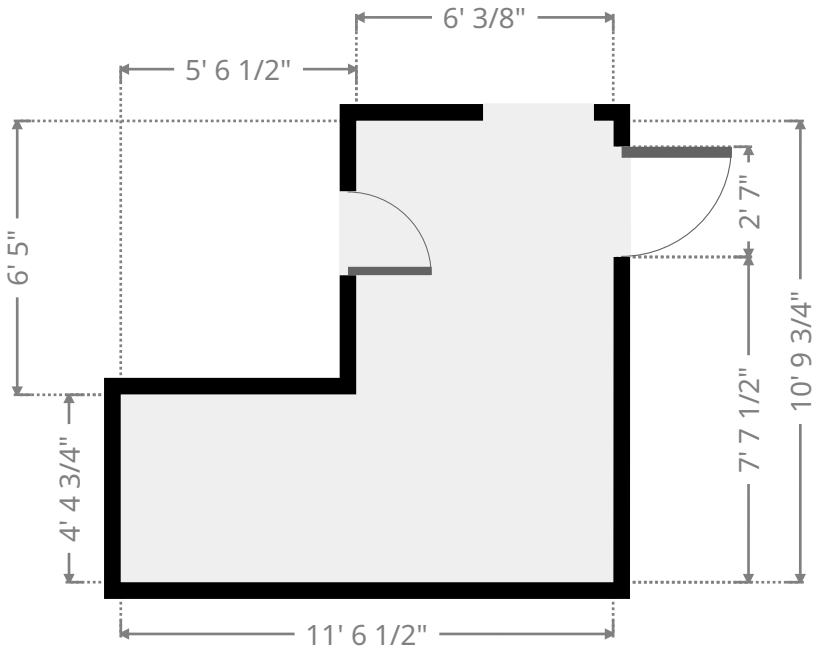
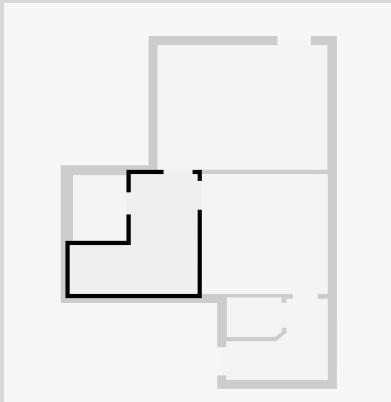
Bedroom

Width: 10' 10 1/4"
 Length: 11' 4 7/8"
 Area: 123.75 sq ft
 Perimeter: 44' 6 1/8"



Kitchen

Width: 10' 9 7/8"
 Length: 11' 6 1/2"
 Area: 89.41 sq ft
 Perimeter: 44' 8 3/4"



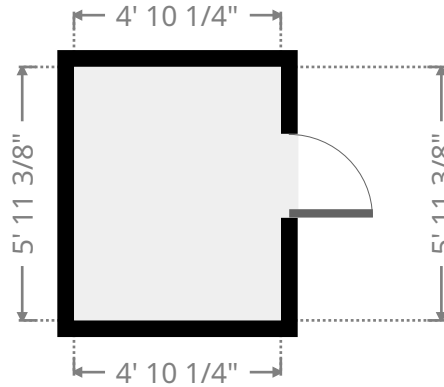
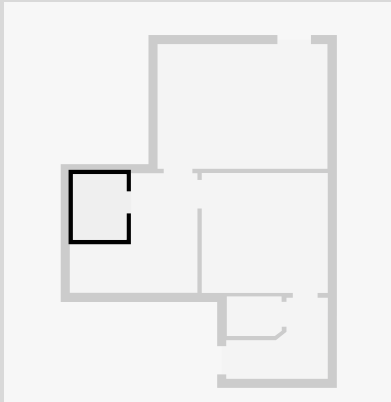
THIS FLOORPLAN IS PROVIDED WITHOUT WARRANTY OF ANY KIND. SENSOPIA DISCLAIMS ANY WARRANTY INCLUDING, WITHOUT LIMITATION, SATISFACTORY QUALITY OR ACCURACY OF DIMENSIONS.



Gresley 16A, 17A, 18A, 10A, 11A, 12A

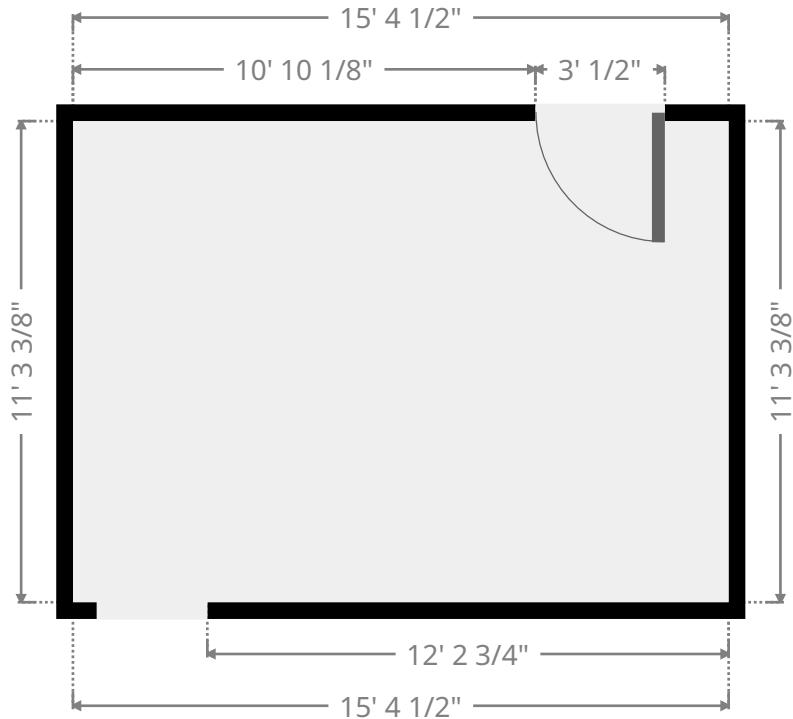
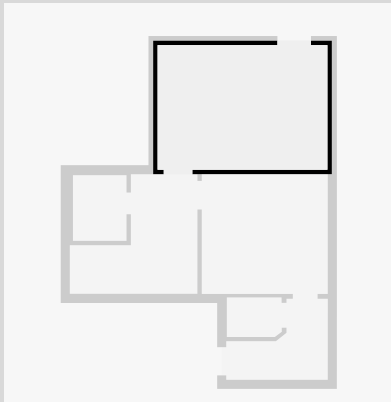
Bathroom

Width: 4' 10 1/4"
 Length: 5' 11 3/8"
 Area: 28.82 sq ft
 Perimeter: 21' 7"



Living Room

Width: 11' 3 3/8"
 Length: 15' 4 1/2"
 Area: 173.46 sq ft
 Perimeter: 53' 3 3/4"



THIS FLOORPLAN IS PROVIDED WITHOUT WARRANTY OF ANY KIND. SENSOPIA DISCLAIMS ANY WARRANTY INCLUDING, WITHOUT LIMITATION, SATISFACTORY QUALITY OR ACCURACY OF DIMENSIONS.

